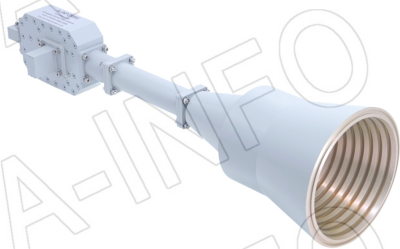


For reference only. See data sheet for the detailed specifications.

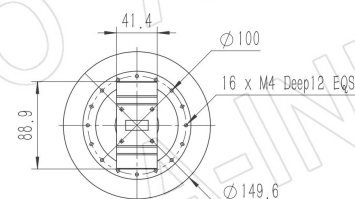
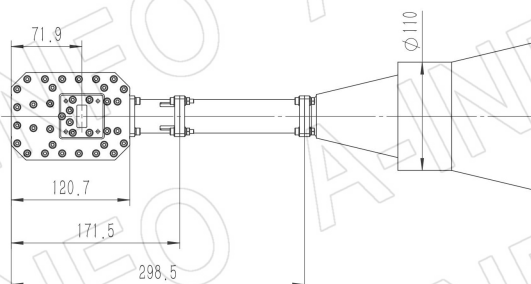
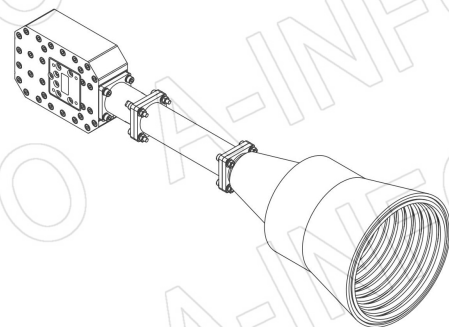
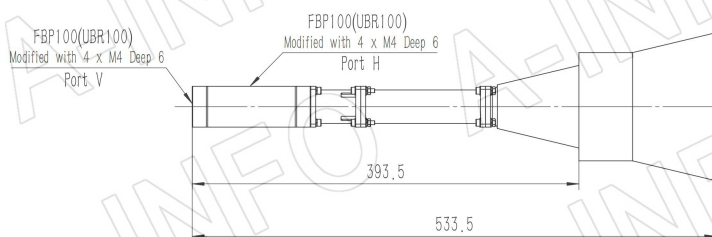
Technical Specification

| | |
|----------------------------|---|
| Frequency Range(GHz) | 8.2 – 12.4 |
| Waveguide | WR90 |
| Gain(dBic) | 20 Typ. |
| Polarization | Dual Circular |
| Axial Ratio(dB) | 2.0 Typ. ; 4.0 Max. |
| 3dB Beamwidth(deg) | E Plane: 17 Typ. |
| | H Plane: 17 Typ. |
| Port to Port Isolation(dB) | 25 Typ. ; 15 Min. |
| VSWR | A Type: 1.40:1 Typ. |
| | C Type: 1.50:1 Typ. |
| Output | A Type: FBP100(UBR100) |
| | C Type: SMA-Female or N-Female or TNC-Female or 7mm or 3.5mm-Female |
| Material | Al |
| Finish | Silver Plated and Chemical Conversion Coating, Gray Paint |
| Size(mm) | A Type: 149.6 x 149.6 x 533.5 |
| | C Type: 149.6 x 149.6 x 571.5 |
| Net Weight(Kg) | A Type: 2.67 Around |
| | C Type: 2.80 Around |



Outline Drawing (Size: mm)

FBP100 Output (P/N: LB-CH-90-20-D02-A)



AINFO Inc.

China(Beijing):
China(Chengdu):
USA :

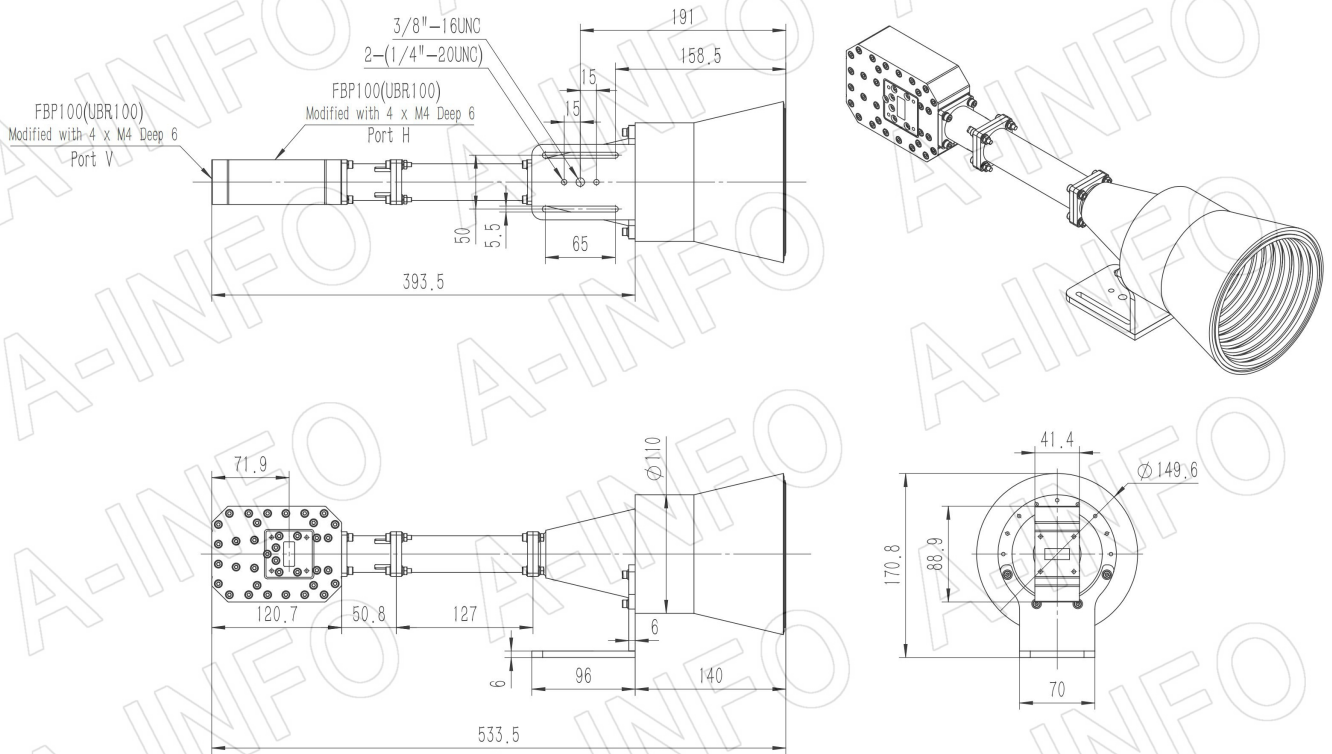
Tel: (+86) 10-6266-7326,
Tel: (+86) 28-8519-2786,
Tel: (+1) 949-639-9688,

(+86) 10-6266-7327
(+86) 28-8519-3044
(+1) 949-639-9608

Fax: (+86) 10-6266-7379
Fax: (+86) 28-8519-3068
Fax: (+1) 949-639-9670

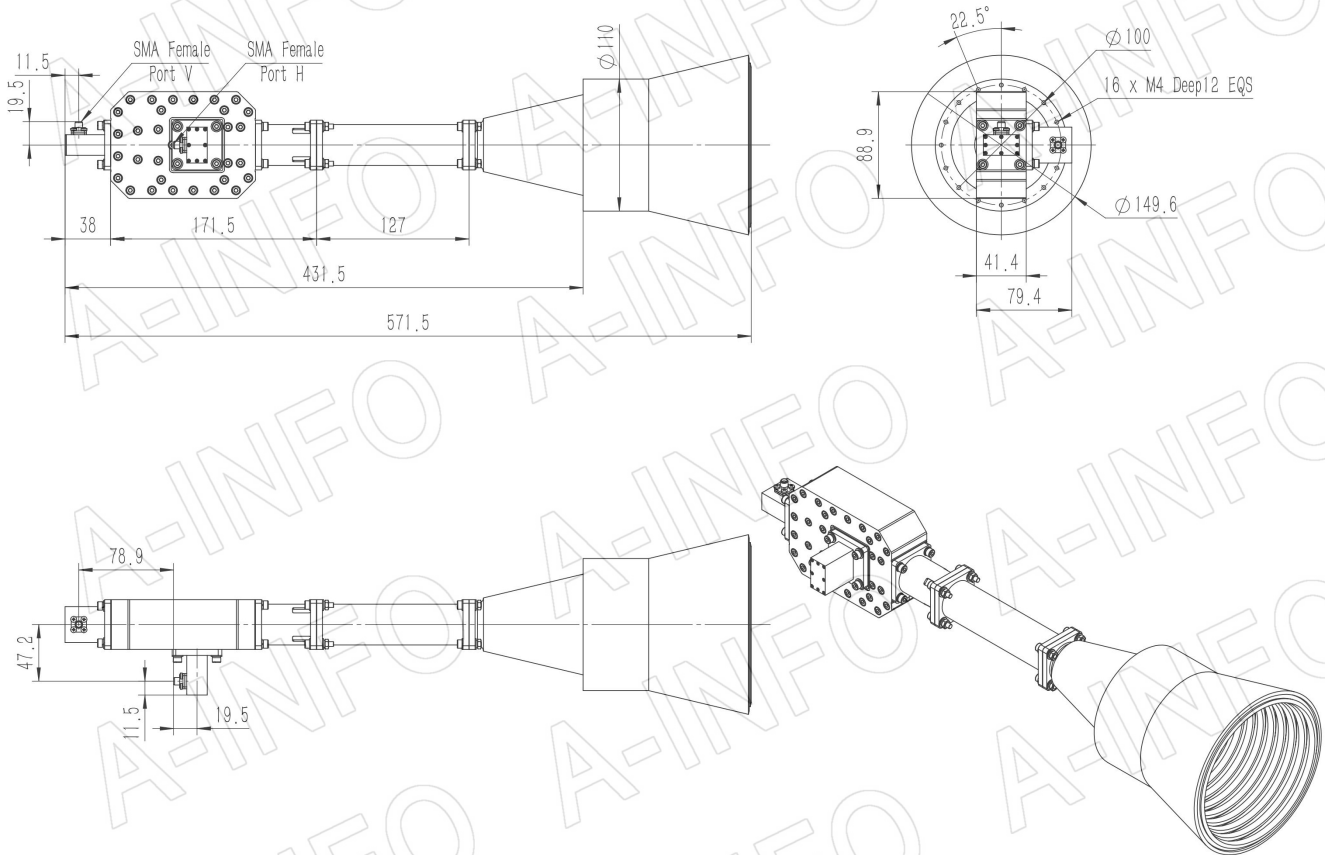
Website: www.ainfoinc.com
Email: sales@ainfoinc.com

FBP100 Output with L Type Mounting Bracket (Option, P/N: LB-CH-90-20-L)



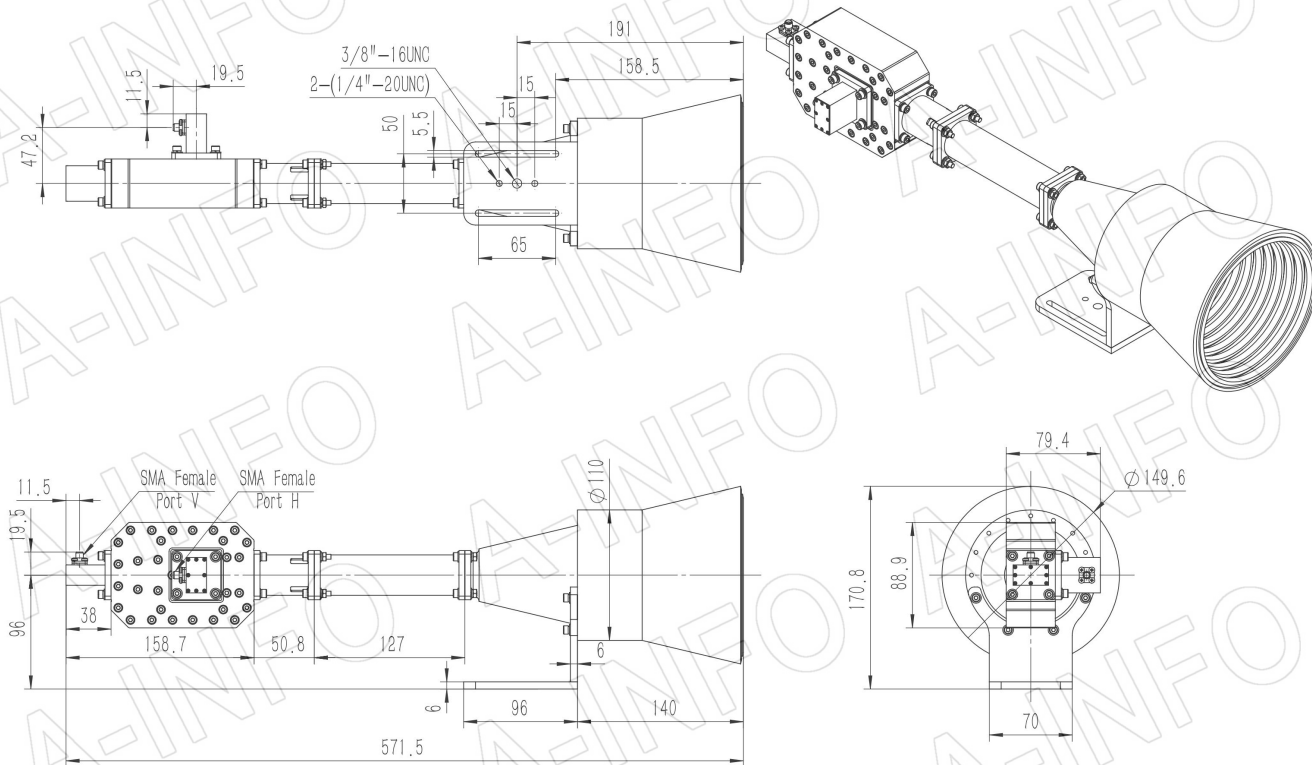
SMA-Female Output (P/N: LB-CH-90-20-D02-C-SF)

For N-Female, TNC-Female, 7mm or 3.5mm-Female output outline drawing, please contact A-INFO.

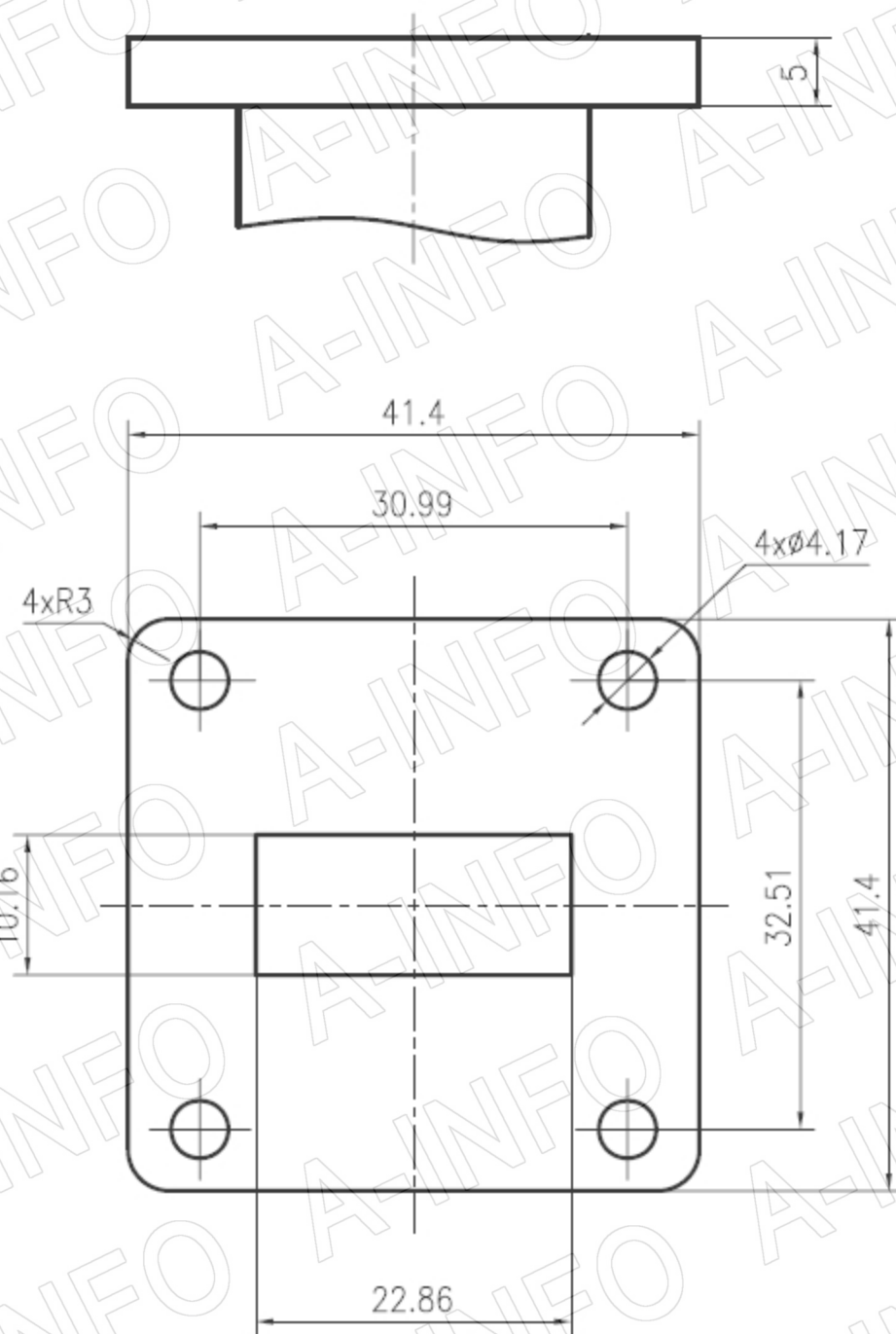


SMA-Female Output with L Type Mounting Bracket (Option, P/N: LB-CH-90-20-L)

For N-Female, TNC-Female, 7mm or 3.5mm-Female output outline drawing, please contact A-INFO.



Flange Drawing (Size: mm)



FBP100

AINFO Inc.

China(Beijing): Tel: (+86) 10-6266-7326,
China(Chengdu): Tel: (+86) 28-8519-2786,
USA : Tel: (+1) 949-639-9688,

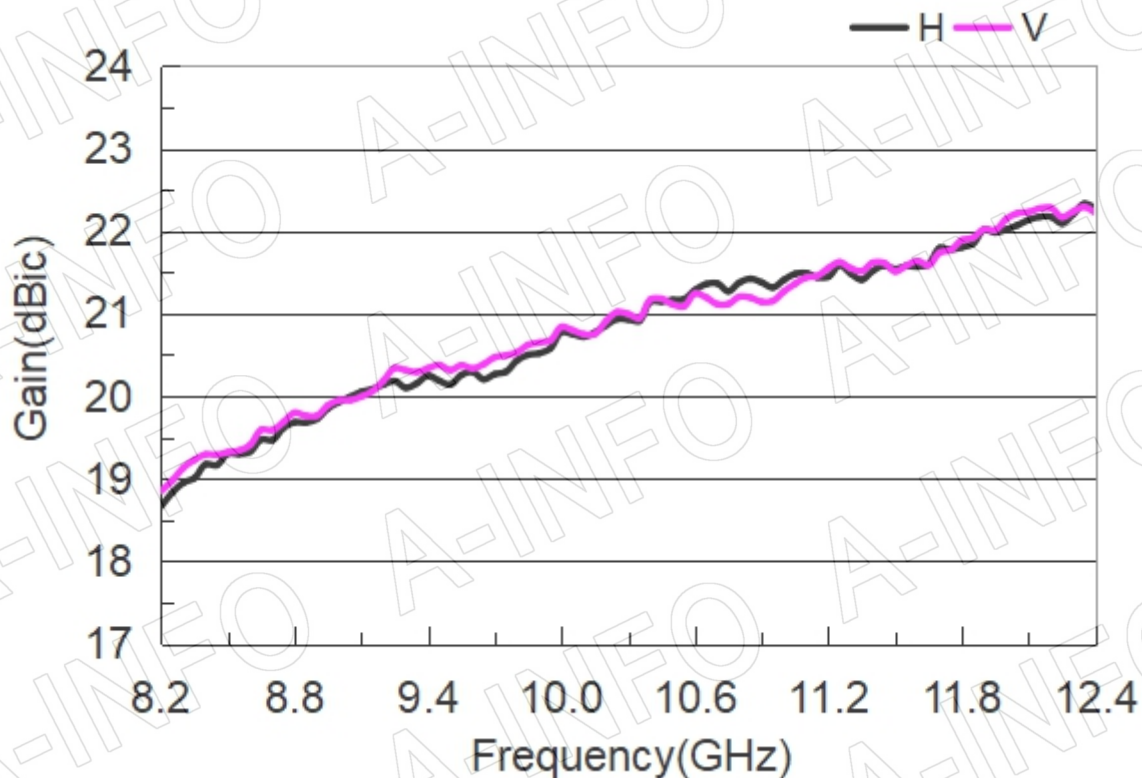
Page 4 of 12

(+86) 10-6266-7327 Fax: (+86) 10-6266-7379
(+86) 28-8519-3044 Fax: (+86) 28-8519-3068
(+1) 949-639-9608 Fax: (+1) 949-639-9670

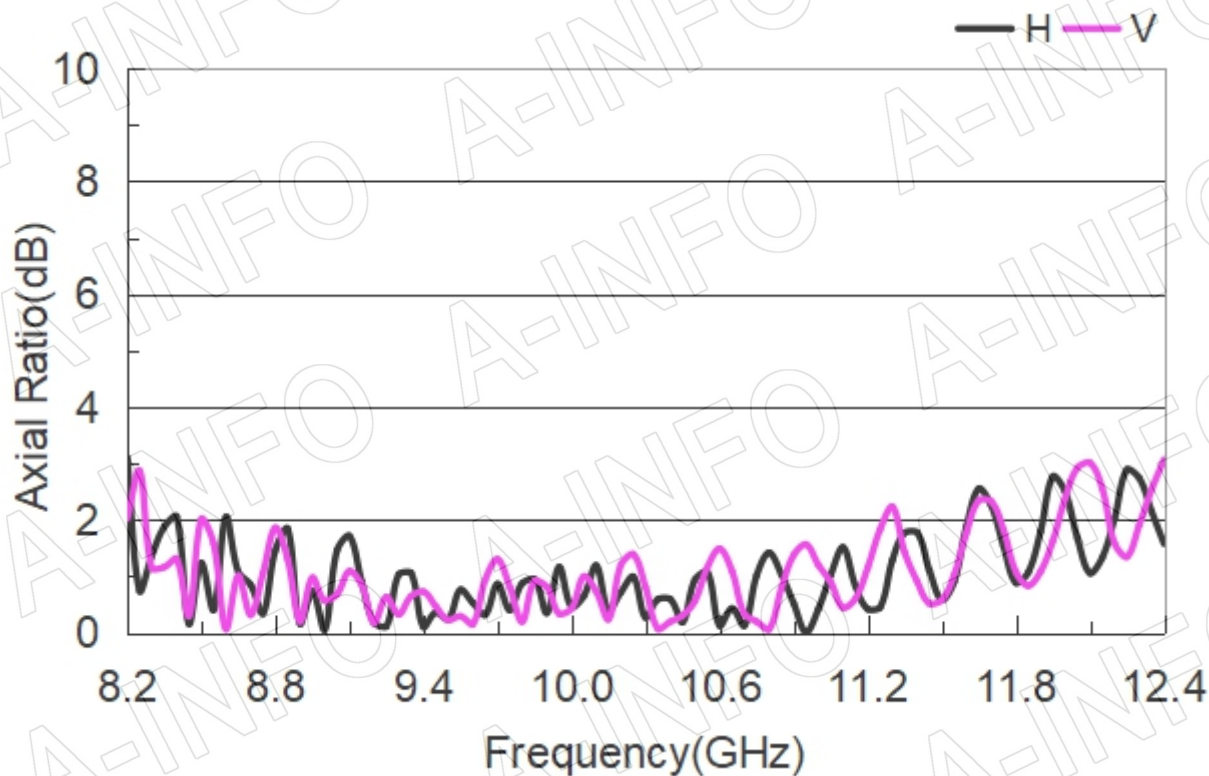
Website: www.ainfoinc.com
Email: sales@ainfoinc.com

Test Results

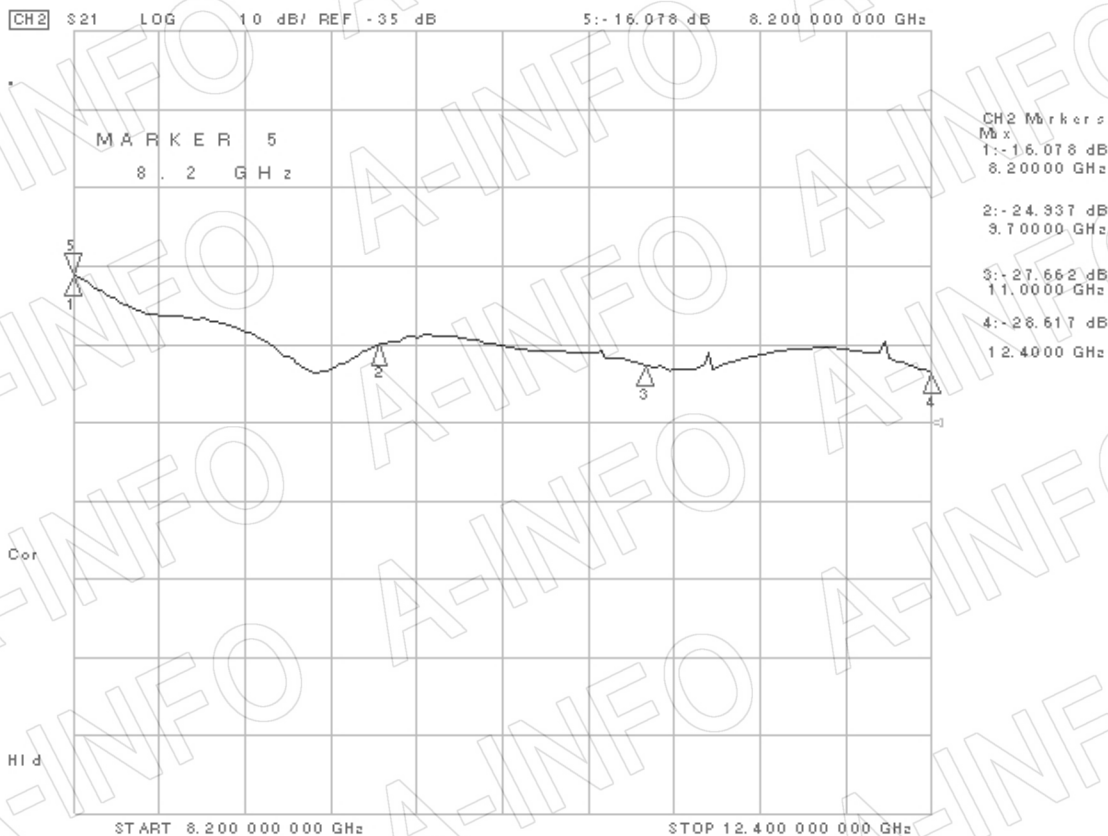
1. Gain



2. Axial Ratio

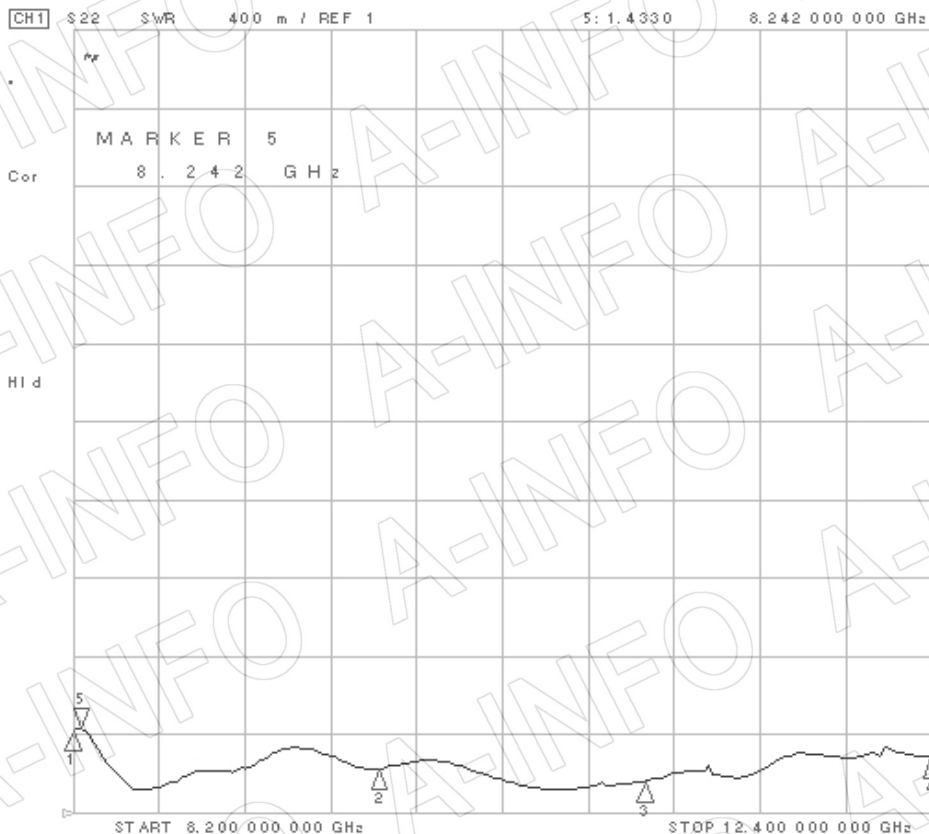


3. Port to Port Isolation

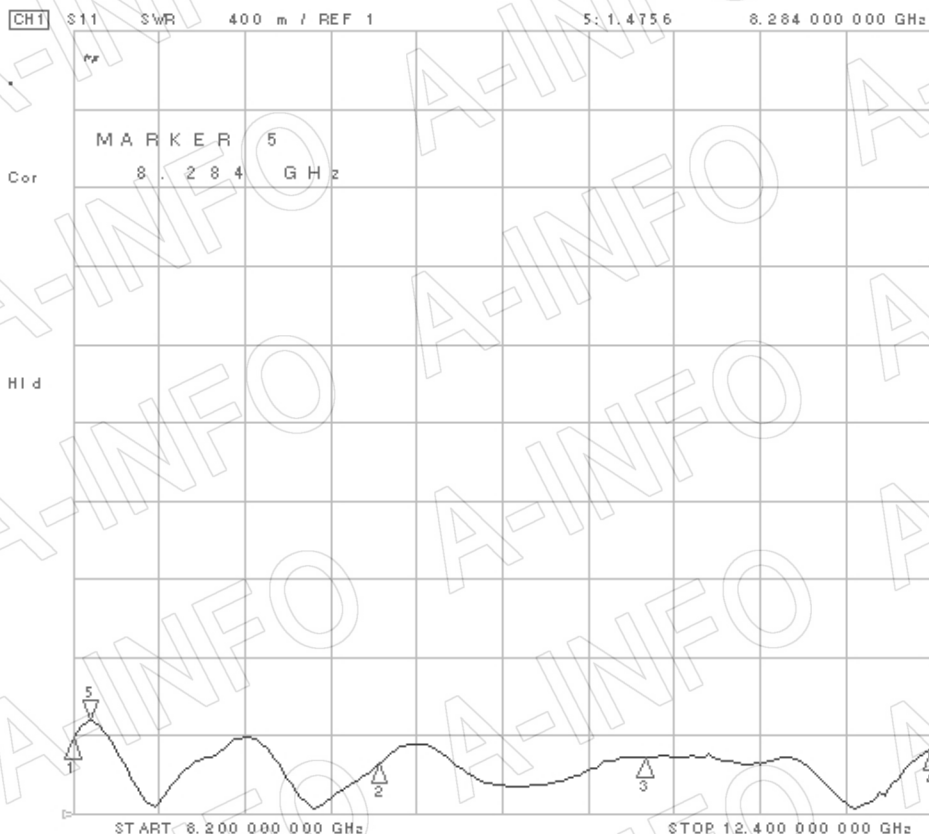


4. VSWR_A Type

Port-H

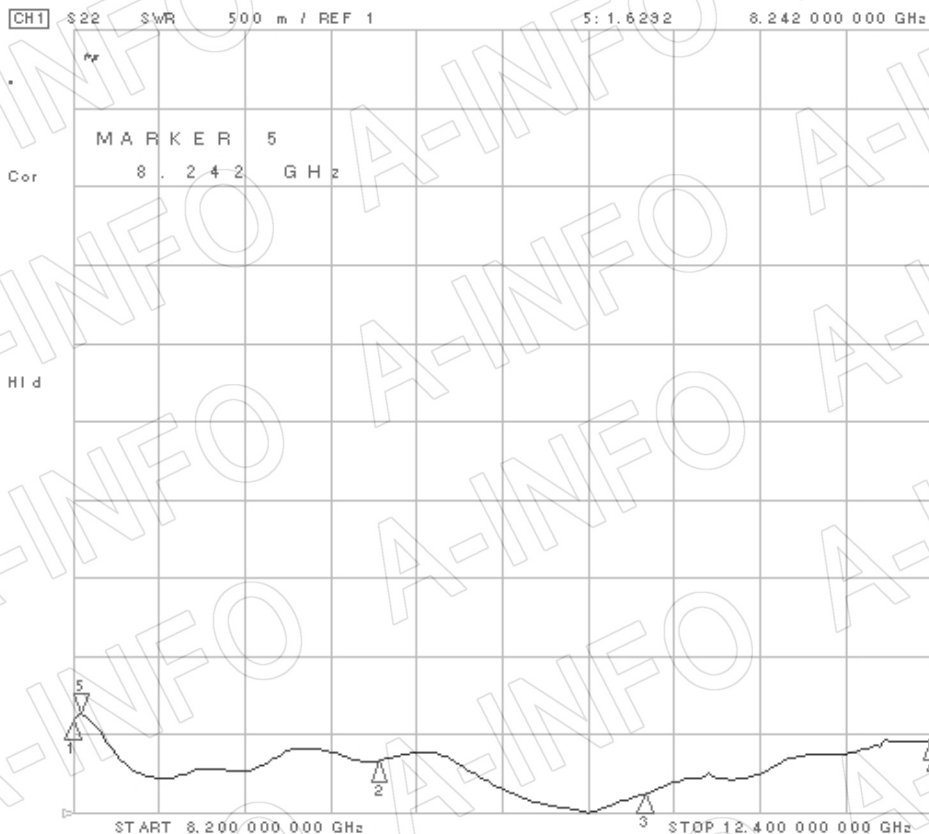


Port-V

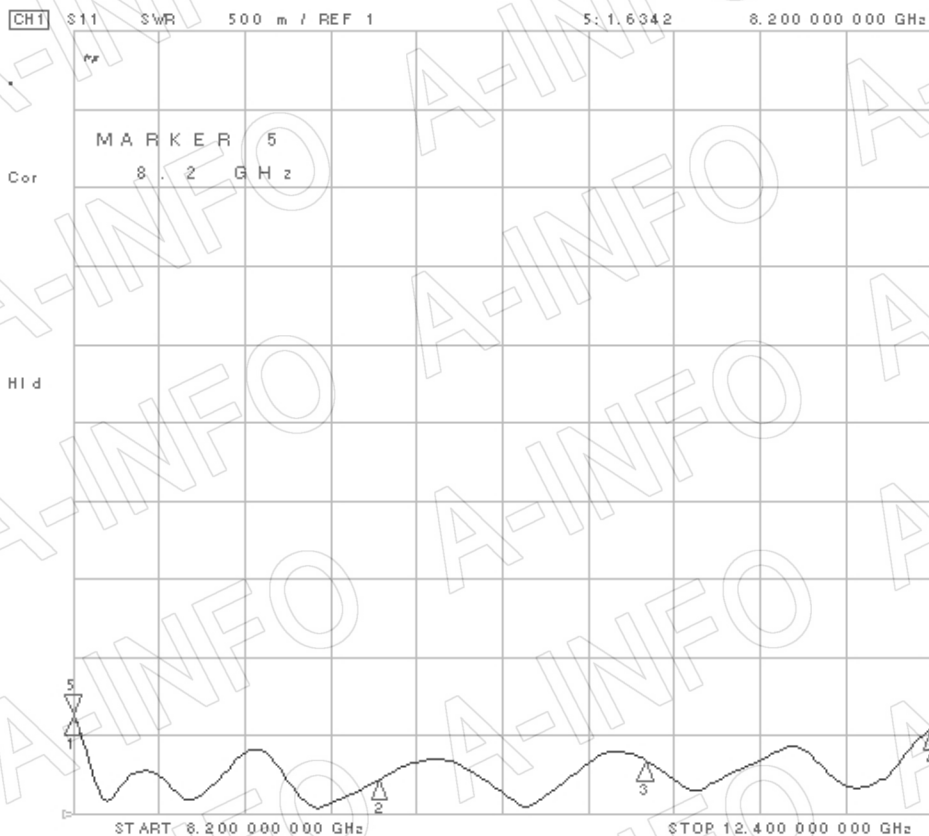


VSWR_C Type

Port-H

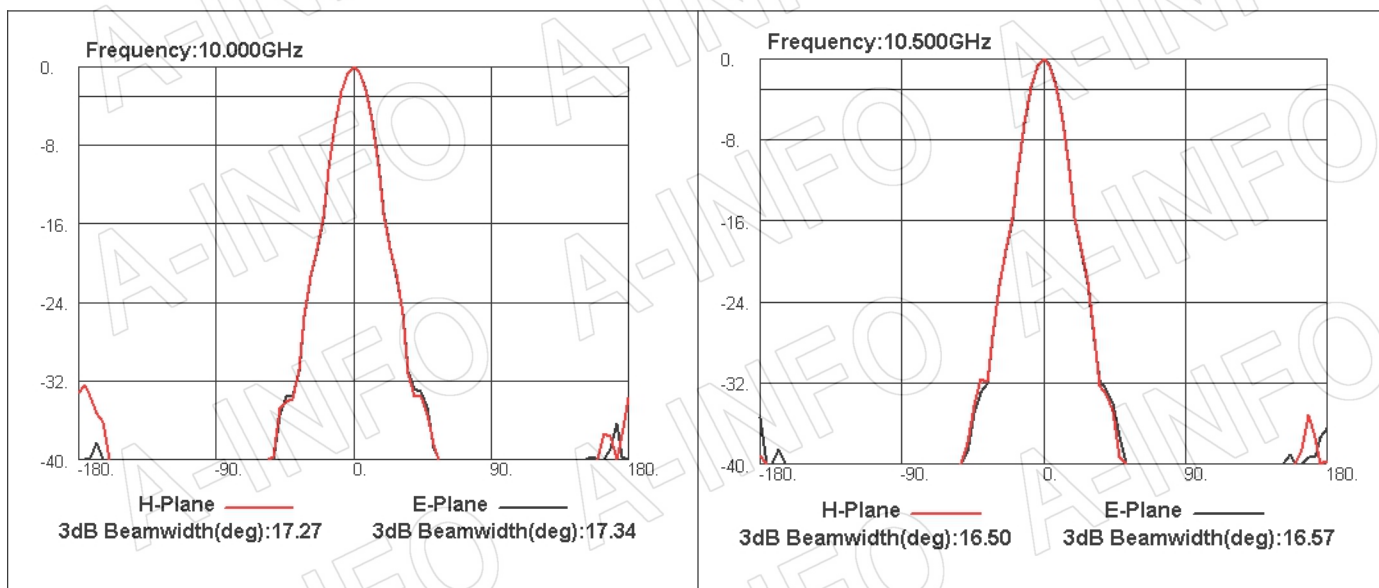
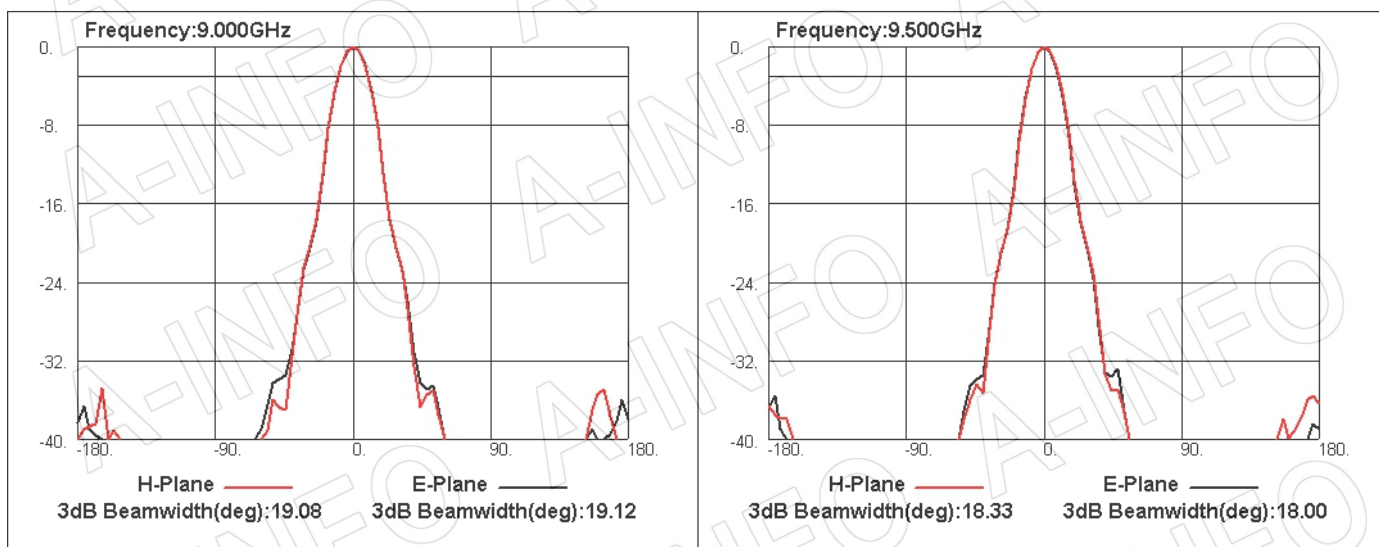
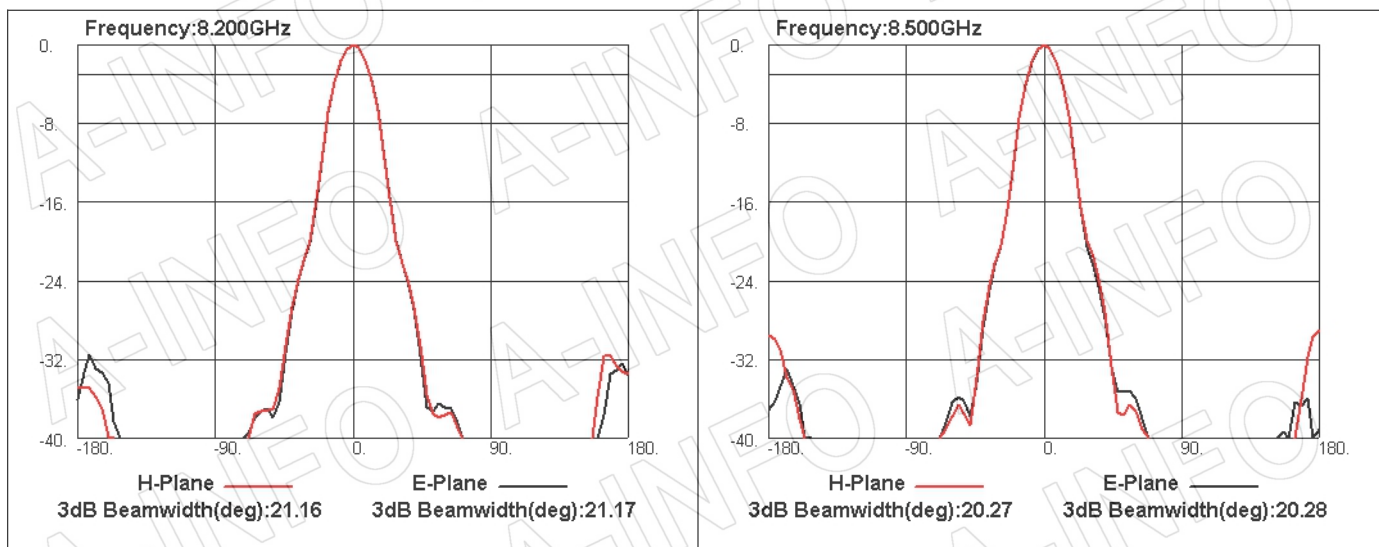


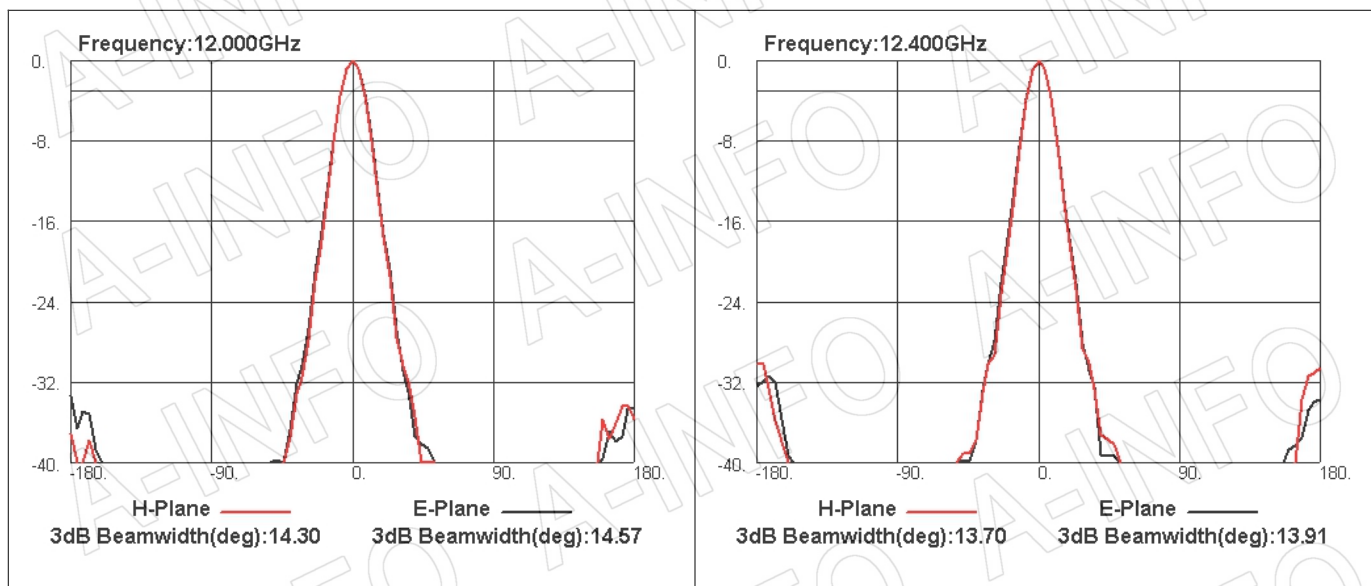
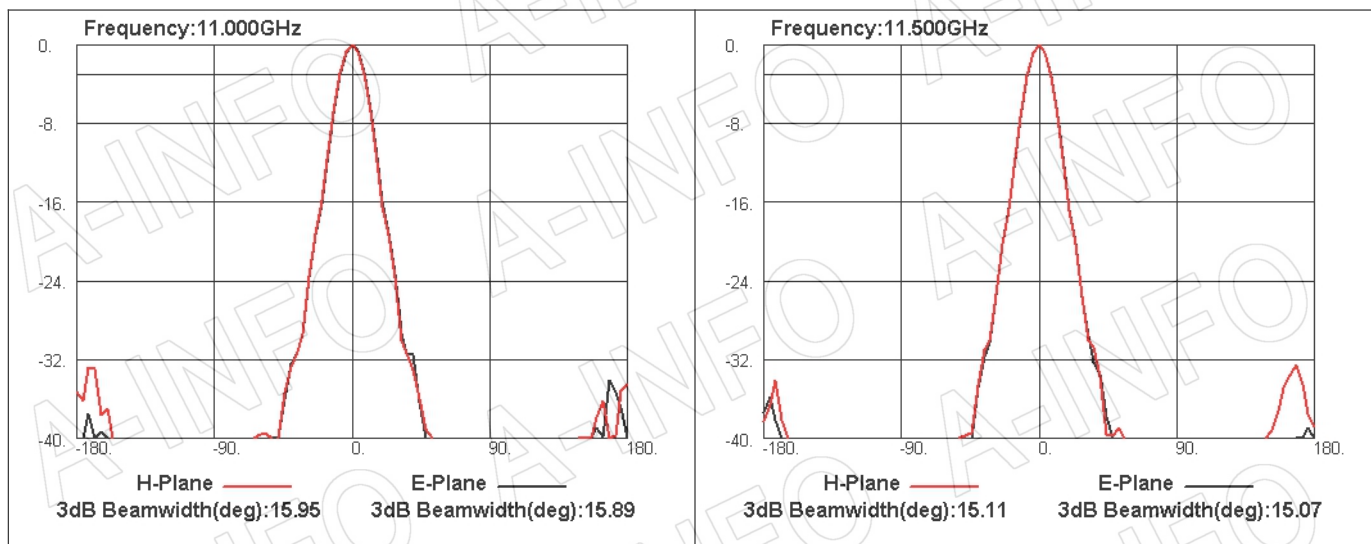
Port-V



5. Pattern

Port-H





Port-V

